

# SPECIFICATION

Customer :

Applied To :

受 控

Product Name : Magnetic Transducer

Model Name : KPM-G1203A



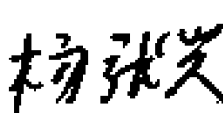
Drawing No. : KP3.843.662R

Compliance with ROHS(本品符合ROHS指令)

Signature of Approval

|  |
|--|
|  |
|--|

Signature of KEPO

| Approved by   | Checked by  | Issued by  | Date |
|---|---|--|------|
|  |  |  |      |

宁波凯普电子有限公司



Ningbo Kepo Electronics Co.,Ltd.

宁波东钱湖镇东钱湖工业区宝源路 25 号

TEL:+86-574-88370330 FAX:+86-574-88370329

No.25 Baoyuan road Dongqian Lake, Industry Area, Dongqian town, Ningbo City, China(Post Code:315121)

[Sales@chinaacoustic.com](mailto:Sales@chinaacoustic.com) [www.chinaacoustic.com](http://www.chinaacoustic.com)

|                                       |              |              |
|---------------------------------------|--------------|--------------|
| Specification for Magnetic Transducer | Page         | 2/10         |
| Model No. : KPM-G1203A                | Revision No. | 1.0          |
|                                       | Drawing No.  | KP3.843.662R |

## CONTENTS

1. Scope  
范围
2. General  
概要
3. Electrical and Acoustic Characteristics.  
电声参数
4. Reliability Test  
可靠性试验
5. Measurement Block Diagram & Response Curve  
测试图和曲线图
6. Structure  
结构
7. Dimensions  
尺寸
8. Packing  
包装
9. Revision  
履历表

|                                       |            |              |              |
|---------------------------------------|------------|--------------|--------------|
| Specification for Magnetic Transducer |            | Page         | 3/10         |
|                                       |            | Revision No. | 1.0          |
| Model No. :                           | KPM-G1203A | Drawing No.  | KP3.843.662R |

## 1. Scope

This product specification is applied to the Magnetic Transducer in alarm systems. Please contact us when using this product for any other applications than described in the above.

本规格书适用于电磁式声响器，通常它用在系统中做报警或提示的声响器用，如果将该产品用于其它领域，请与我们联系。

## 2. General

2.1 Out-Diameter : Ø12mm

外径: Ø12mm

2.2 Height : 9.0mm

高度: 9.0 mm

2.3 Weight : 2 g.

重量: 2克

2.4 Operating Temperature range:

-20~+70°C without loss of function

工作温度: -20~+70°C

Store Temperature range:

-30~+80°C without loss of function

储藏温度: -30~+80°C

## 3. Electrical and Acoustic Characteristics.

Test condition : 15 ~ 35 °C, 25% ~ 85% RH, 860~1060 mbar

测试条件: 15~35 °C, 25%~85%RH, 860~1060mbar

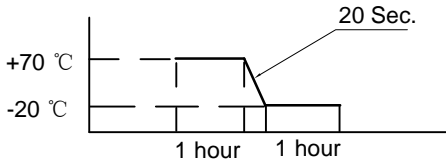
|   | Items<br>项目                       | Specification<br>规格 |
|---|-----------------------------------|---------------------|
| 1 | Rated Voltage<br>额定电压             | 3V                  |
| 2 | Operating Voltage<br>工作电压         | 2~5V                |
| 3 | Max. Rated Current<br>额定电流        | 90mA/3V             |
| 4 | Resonant Frequency<br>谐振频率        | 2400Hz              |
| 5 | Min. Sound Pressure Level<br>额定声压 | 85dB/3V/2400Hz/10cm |
| 6 | Coil Resistance<br>直流阻抗           | 16±4 Ω              |
| 7 | Coil Impedance<br>交流阻抗            | 40 Ω                |
| 8 | Case Material/Color<br>壳体材质/颜色    | PBT/BLACK           |

|                                       |            |              |              |
|---------------------------------------|------------|--------------|--------------|
| Specification for Magnetic Transducer |            | Page         | 4/10         |
|                                       |            | Revision No. | 1.0          |
| Model No. :                           | KPM-G1203A | Drawing No.  | KP3.843.662R |

## 4. Reliability Test

After test(1~7item), the transducer S.P.L . difference shall be within  $\pm 10\text{dB}$ , and the appearance not exist any change to be harmful to normal operation(e.g.cracks,rusts,damages and especially distortion).

在1-7项试验后，声响器的声压变化值在  $\pm 10\text{dB}$  之内，外观无变化（例如：开裂、生锈、损伤、变形等现象）。

|   | Item                          | Specification  |
|---|-------------------------------|--|
| 1 | High Temperature Test<br>高温试验 | <p>After being placed in a chamber with <math>+70 \pm 2^\circ\text{C}</math> for 240 hours and then being placed in natural condition for 2 hours, sounder shall be measured.</p> <p>放置于温度 <math>+70 \pm 2^\circ\text{C}</math> 的烘箱内240小时，然后取出，在常温下放置2小时后，测试声响器。</p>   |
| 2 | Low Temperature Test<br>低温试验  | <p>After being placed in a chamber with <math>-20 \pm 2^\circ\text{C}</math> for 240 hours and then being placed in natural condition for 2 hours, sounder shall be measured.</p> <p>放置于温度 <math>-20 \pm 2^\circ\text{C}</math> 的制冷箱内240小时，然后取出，在常温下放置2小时后，测试声响器</p>   |
| 3 | Humidity Test<br>潮湿试验         | <p>After being placed in a chamber with 90 to 95%R.H. at <math>+60 \pm 2^\circ\text{C}</math> for 240 h and then being placed in natural condition for 2h , sounder shall be measured.</p> <p>将产品置于湿度为 90~95%R.H，温度为 <math>60 \pm 2^\circ\text{C}</math> 试验箱中 240 小时，然后在正常大气压条件下恢复 2 小时后，进行测量</p>  |
| 4 | Thermal Shock Test<br>热冲击试验   | <p>After being worked in a chamber at <math>+70 \pm 2^\circ\text{C}</math> for 1 hour, then sounder shall be placed in a chamber at <math>-20 \pm 2^\circ\text{C}</math> for 1 hour(1 cycle is the below diagram).</p> <p>After 10 above cycles, sounder shall be measured after being placed in natural condition for 2 hour.</p> <p>将产品置于 <math>70 \pm 2^\circ\text{C}</math> 试验箱中，先工作 1 小时，然后将产品置于 <math>-20 \pm 2^\circ\text{C}</math> 试验箱中，再工作 1 小时，经过 10 个循环后，在正常大气压条件下恢复 2 小时，进行测量</p>  |

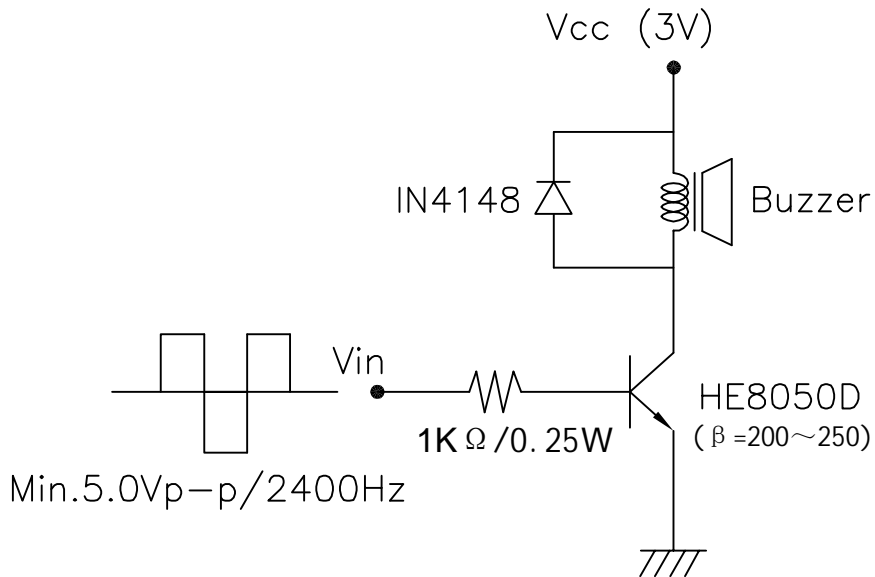
|                                       |  |              |              |
|---------------------------------------|--|--------------|--------------|
| Specification for Magnetic Transducer |  | Page         | 5/10         |
| Model No. : KPM-G1203A                |  | Revision No. | 1.0          |
|                                       |  | Drawing No.  | KP3.843.662R |

#### 4. Reliability Test

|   | Item                                | Specification   |
|---|-------------------------------------|---|
| 5 | Vibration Resistance<br>振动试验        | <p>Sounder shall be measured after being applied vibration of amplitude of 1.5mm with 10 to 30Hz band of vibration frequency to each of 3 perpendicular directions for 2 hour.</p> <p>振幅为1.5mm，频率为10~30Hz，三个不同轴方向各振动2小时，试验后进行测量。</p>                                |
| 6 | Drop Test<br>跌落试验                   | <p>Sounder packed in the carton are dropped in six direction from the height of 80cm to the concrete floor.</p> <p>跌落高度80cm,6个不同方向整箱跌落到水泥地，试验后进行测量。</p>   |
| 7 | Solderability<br>可焊性试验              | <p>Lead terminals are immersed in rosin for 5 seconds and then immersed in solder bath of <math>+260\pm 5^{\circ}</math> C for <math>3\pm 0.5</math> seconds.</p> <p>插针浸入松香5秒，然后再浸入<math>+260\pm 5^{\circ}</math> C的锡炉中<math>3\pm 0.5</math>秒，插针表面应覆盖一层光滑明亮的焊料。</p> |
| 8 | Terminal Strength Pulling<br>插针强度试验 | <p>The force 10 seconds of 9.8N is applied go each terminal in axial direction.</p> <p>插针应承受9.8N拉力，拉力时间10秒，插针无松动和脱落等现象。</p>   |
| 9 | 连续运行<br>continuum run               | <p>3V/2400Hz/240小时</p> <p>3V/2400Hz/240hours</p>  |

|                                       |              |              |
|---------------------------------------|--------------|--------------|
| Specification for Magnetic Transducer | Page         | 6/10         |
|                                       | Revision No. | 1.0          |
|                                       | Drawing No.  | KP3.843.662R |
| Model No. :                           | KPM-G1203A   |              |

## 5. Measurement Block Diagram



5.2 曲线图 Response Curve

07/19/2008 10:19

CRY6125F 蜂鸣器测试仪 V91

无框 滤波器无

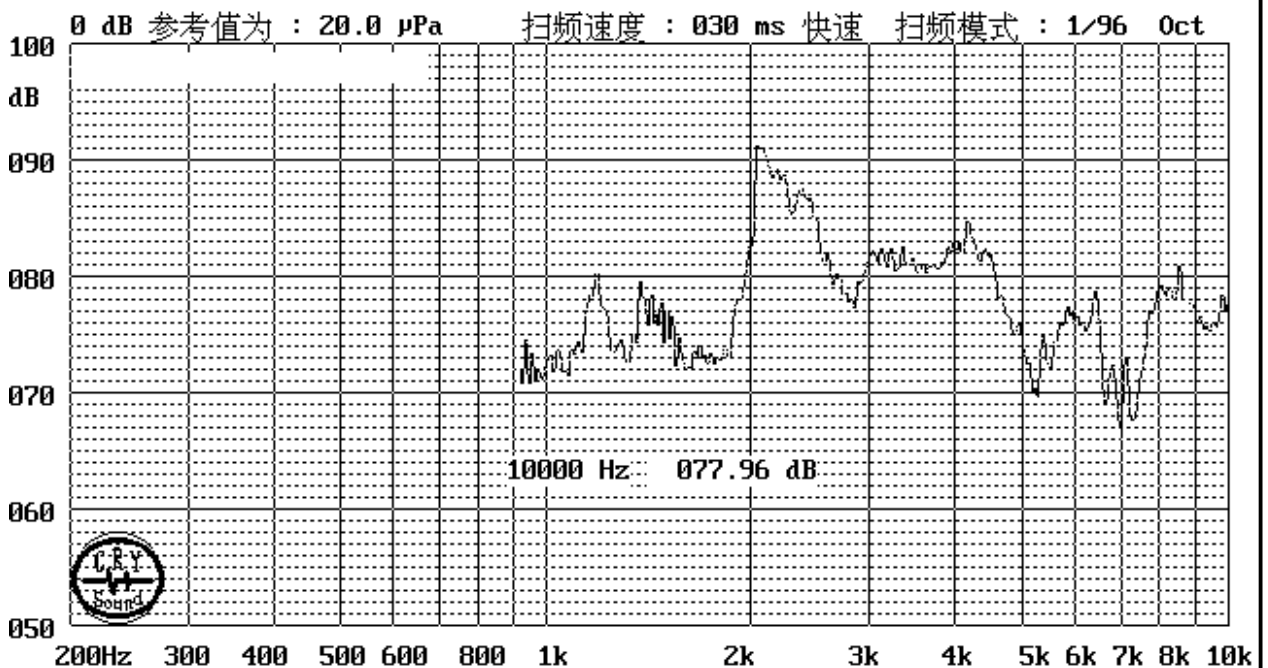
型号: KPM-G1203A

Fc= 2400 Hz 087.07 dB

正向方波

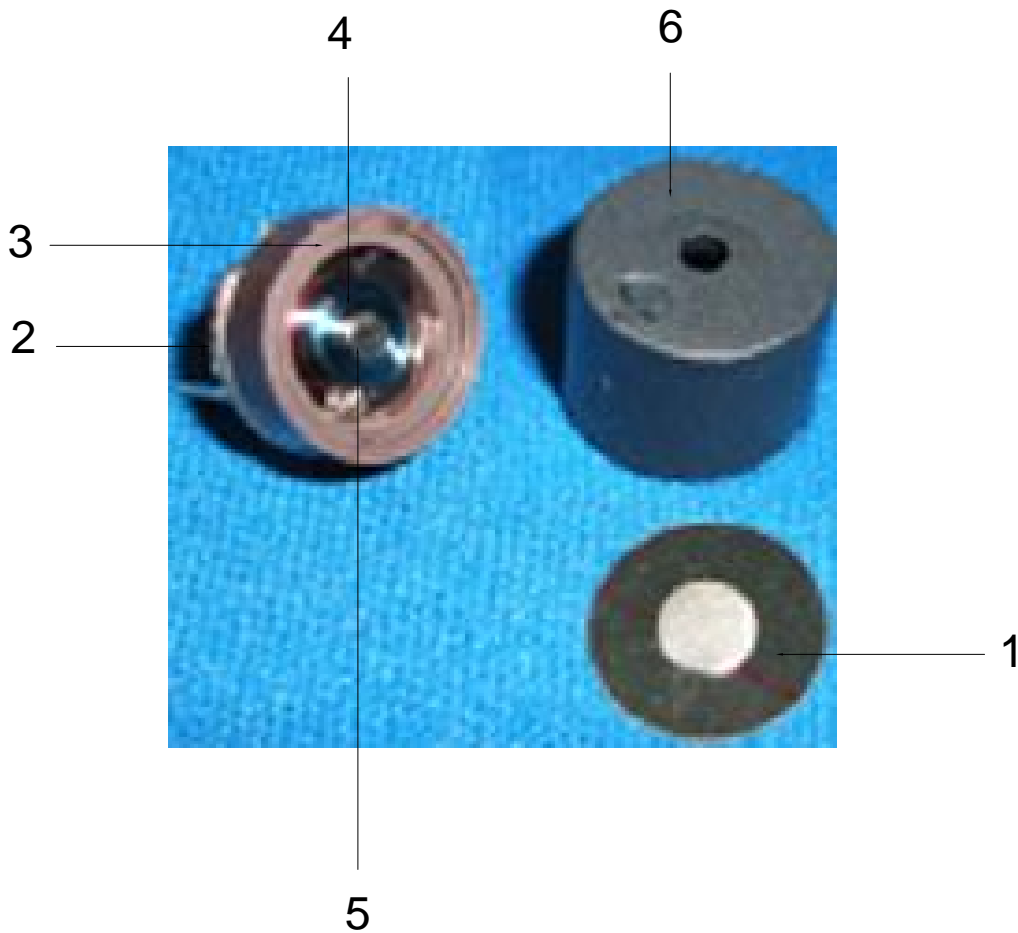
电压: 3000 mV

Fo= 2048 Hz 091.65 dB



|                                       |            |              |              |
|---------------------------------------|------------|--------------|--------------|
| Specification for Magnetic Transducer |            | Page         | 7/10         |
|                                       |            | Revision No. | 1.0          |
| Model No. :                           | KPM-G1203A | Drawing No.  | KP3.843.662R |

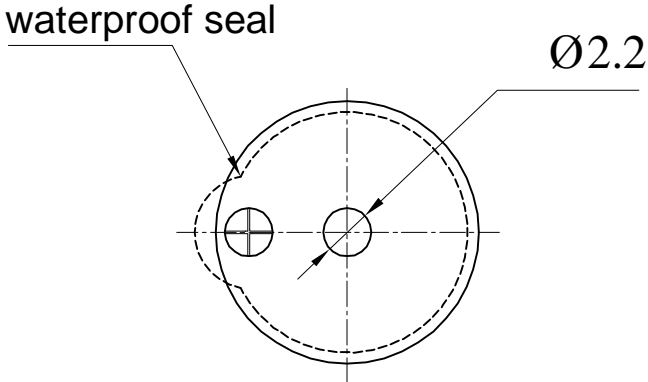
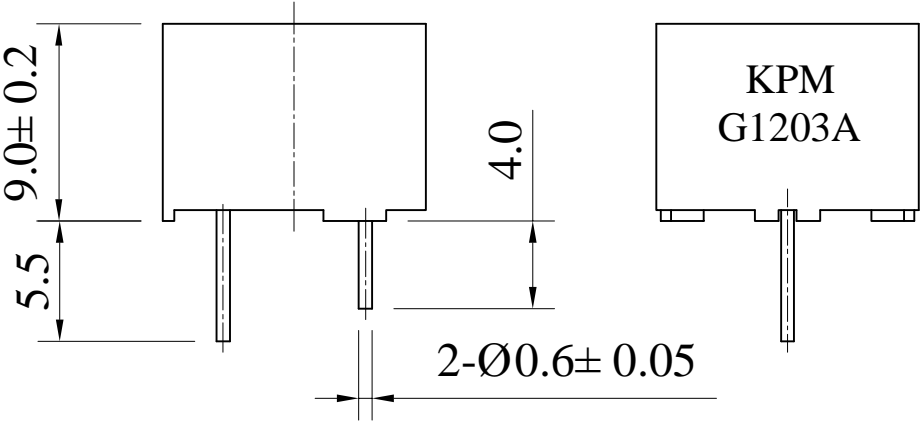
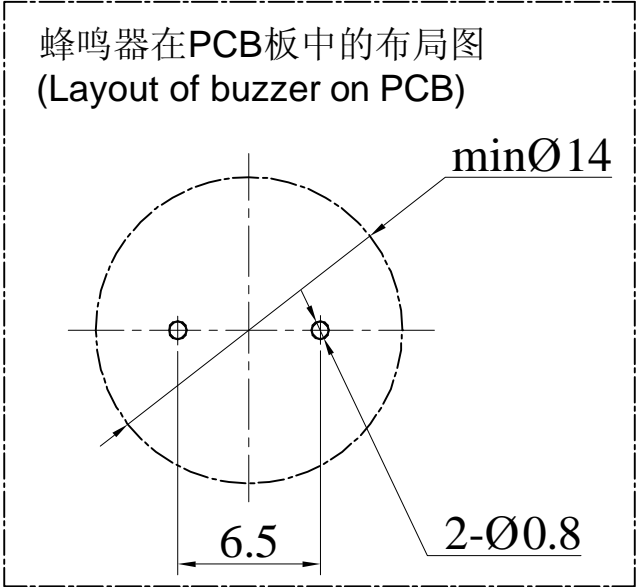
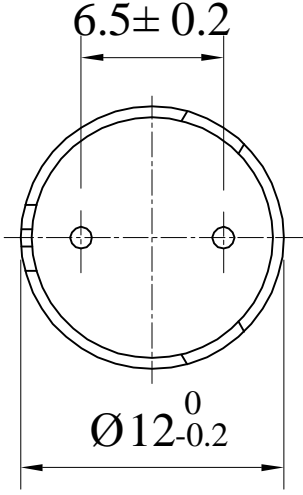
## 6. Structure



|     |                        |      |                |           |
|-----|------------------------|------|----------------|-----------|
| 6   | Case<br>壳体             | 1    | PBT            |           |
| 5   | T Core<br>T 铁          | 1    | Fe             |           |
| 4   | Coil<br>线圈             | 1    | QANR           |           |
| 3   | Magnetic ring<br>磁环    | 1    | /              |           |
| 2   | PCB with pin<br>带导针印制板 | 1    | /              |           |
| 1   | Diaphragm<br>膜片        | 1    | /              |           |
| No. | Part Name<br>型号        | Q'TY | Material<br>材质 | SGS<br>编号 |

|                                       |              |              |
|---------------------------------------|--------------|--------------|
| Specification for Magnetic Transducer | Page         | 8/10         |
|                                       | Revision No. | 1.0          |
| Model No. : KPM-G1203A                | Drawing No.  | KP3.843.662R |

### 7. Dimensions



FIRST ANGLE PROJECTION

UNIT : mm  
Tolerance : ±0.5



|                                       |            |              |              |
|---------------------------------------|------------|--------------|--------------|
| Specification for Magnetic Transducer |            | Page         | 9/10         |
|                                       |            | Revision No. | 1.0          |
| Model No. :                           | KPM-G1203A | Drawing No.  | KP3.843.662R |

### 8. Packing



QTY: 100Pcs



QTY: 500Pcs



QTY: 6000Pcs  
425x400x315mm

